

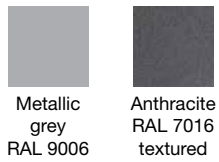
ARCO BOLLARD/APPLIQUE

Led power & output - Tc 25°C
6.3W - 4000K - **880 lm** - 220-240V 50/60Hz

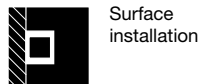
Luminaire power & output - Ta 25°C
8.5W - 4000K - **433 lm** - 220-240V 50/60Hz



Step MacAdam 4
Lifetime: 30Kh



Ground installation



Surface installation



Impact resistance IK08



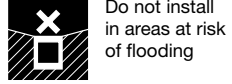
IP65 Protection degree



3 Year warranty



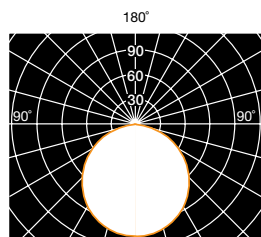
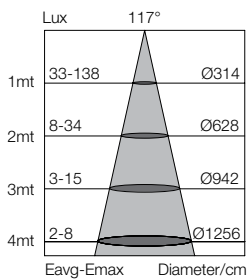
RG1 Photobiological risk



Do not install in areas at risk of flooding



Colour rendering index ≥ 80



Bollard



ARCO APPLIQUE

LED's luminaire for 220-240V 50/60Hz supply tension

Technical details

- Silicone gaskets
- Polyester powder coating after a treatment specific for weathering resistance
- A2 stainless steel screws

Optics

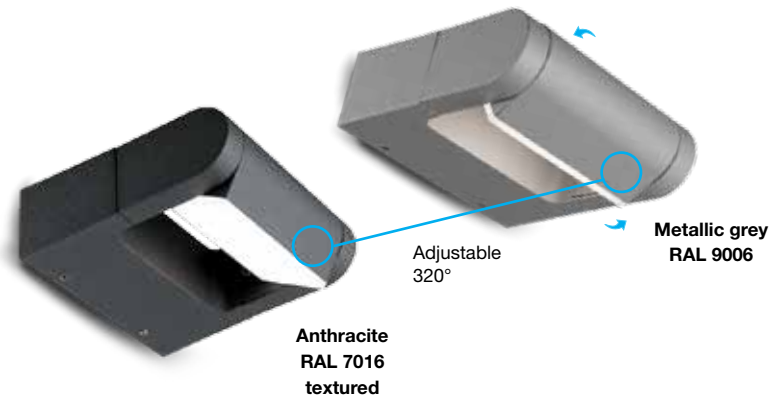
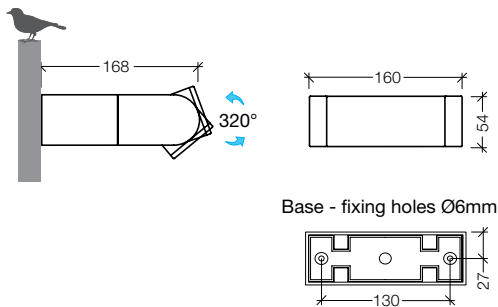
- Adjustable optics (320°) in anodised and painted die-cast aluminium

Diffuser

- Non yellowing opal PMMA (acrylic) diffuser

Base

- Anodised and painted die-cast aluminium base



Dimensions	Power	Metallic grey RAL 9006	Anthracite RAL 7016 textured
160x168x54mm	6.3W 4000K 880 lm	0104.182M	0104.182S

ARCO BOLLARD

LED's luminaire for 220-240V 50/60Hz supply tension

Technical details

- 650mm height
- Silicone gaskets
- Polyester powder coating after a treatment specific for weathering resistance
- A2 stainless steel screws

Optics

- Adjustable optics (320°) in anodised and painted die-cast aluminium

Diffuser

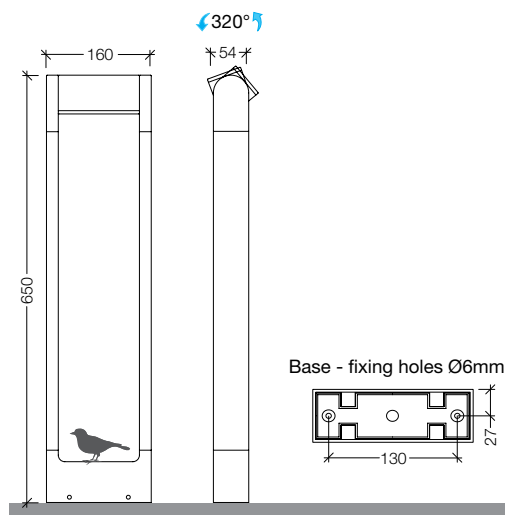
- Non yellowing opal PMMA (acrylic) diffuser

Housing

- Anodised and painted extruded aluminium housing

Base

- Anodised and painted die-cast aluminium base



Dimensions	Power	Metallic grey RAL 9006	Anthracite RAL 7016 textured
160x650x54mm	6.3W 4000K 880 lm	1040.182M	1040.182S